



Bench-top Ionizing Air Blower

ENDSTAT 2020

Simco-Ion's Endstat 2020 ionizing air blower provides economical control of electrostatic charges over a targeted work surface area. It provides protection from the destructive effects of Electrostatic Discharge (ESD) by neutralizing static charges in the work environment.

The Endstat 2020 ionized air blower produces airflow enriched with positive and negative air ions. Directing the ionized airflow on an object that has an electrostatic charge will neutralize the charge. Surfaces with negative charge will draw positive ions and surfaces with positive charge will draw negative ions. The air ions act as charge carriers, neutralizing the surface.

The Endstat 2020 is suitable for a variety of applications. It uses a two speed fan to provide an adaptable airflow. Ionization is produced using an AC corona discharge ionizer and AC high voltage transformer. AC ionization technology provides for economical, reliable static control.

Features


- Compact design
- Easy to install and operate
- Two speed fan control
- Built-in emitter cleaner
- Electrically grounded metal enclosure
- Inherent balance to $\pm 15V$

Benefits

- Perfect fit for complete bench-top work area ESD protection
- Convenient front panel controls for blower operation
- Application specific optimized performance
- Easy to maintain long-term ESD protection
- Ensure durability even under the most extreme workstation conditions
- Designed for electronic assembly and manufacturing applications



Specifications

Input Voltage	120 VAC, 60 Hz, 0.4A; 230 VAC, 50 Hz, 0.2A fan high
Discharge	2.5 sec @ 1' (1000-100V) ¹ fan high
Balance	±15V @ 1'
Ion Emission	Alternating current (AC)
Emitter Points	Stainless steel
Coverage	1' x 4' area
Controls	ON/OFF switch with indicator light; HIGH/LOW fan speed switch
Airflow	50 cfm fan low; 100 cfm fan high
Audible Noise	55 dBA @ 1m from unit fan high
Operating Env.	Temperature 50-95°F (10-35°C); humidity 30-60% RH (non-condensing)
Ozone	0.016 ppm (typ), 48 hour accumulation
Mounting	Metal mounting stand/bracket included
Enclosure	Steel with enamel finish
Weight	7 lbs (3.2 kg)
Dimensions	8.2H x 5.7W x 3.7D in. (21 x 14.5 x 9.5 cm)
Warranty	Two year limited warranty
Certifications	RoHS 2 Compliant  230V, 50 Hz

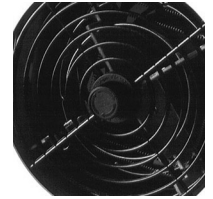
1. Tested in accordance with ANSI/ESD STM3.1-2006.

Ordering Information

4012304	Endstat 2020, 120V, 60 Hz, UL, North America
4012305	Endstat 2020, 230V, 50 Hz, CE, Continental Europe
4012306	Endstat 2020, 230V, 50 Hz, CE, United Kingdom
4015591	Endstat 2020, 230V, 50 Hz, CE, China

Emitter Point Cleaner

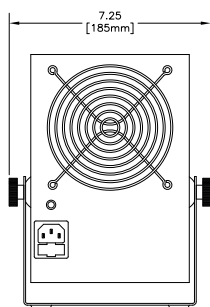
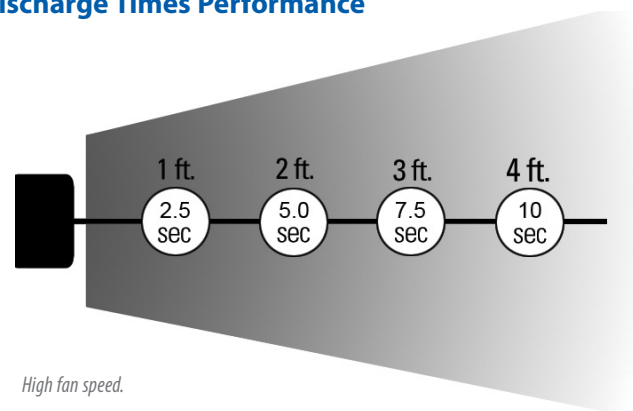
The Endstat 2020 features a built-in manual emitter point cleaner. Using the emitter point cleaner takes only seconds. Cleaning the emitter points removes any accumulated contamination, restoring full ionization performance and balance. This keeps your Endstat 2020 working in top form for the life of the unit.



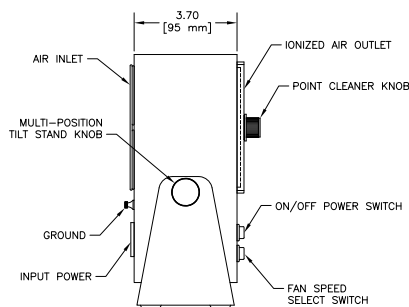
Applications

The Endstat 2020 is designed for electronics and manufacturing environments. It can be used with sensitive electronic components or where materials are difficult to work with due to electrostatic charge. Used with sensitive electronic components, the Endstat 2020 helps to eliminate damaging ESD events. The Endstat 2020 will also reduce or eliminate dirt or particle attraction on surfaces due to electrostatic attraction (ESA).

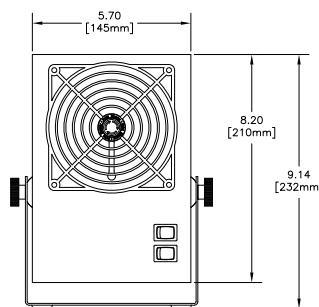
Discharge Times Performance



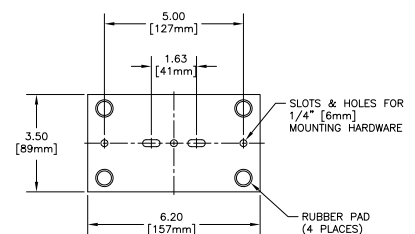
REAR VIEW



SIDE VIEW



FRONT VIEW



BOTTOM VIEW

SIMCO ION™

An ITW Company

DS-Endstat 2020_V3 - 10/14
© 2014 Simco-Ion
All rights reserved.

Simco-Ion

Technology Group
1601 Harbor Bay Pkwy, Ste 150
Alameda, CA 94502

Tel: 800.367.2452 (in USA)

Tel: 510.217.0600

ioninfo@simco-ion.com

www.simco-ion.com